

F FORESTERI

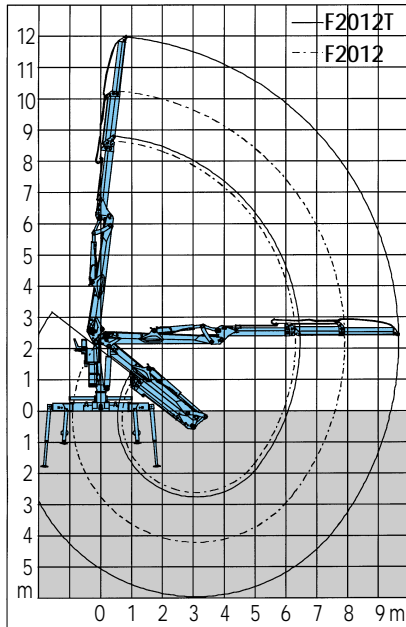
2012/2012T

TIMBER TRUCK LOADER

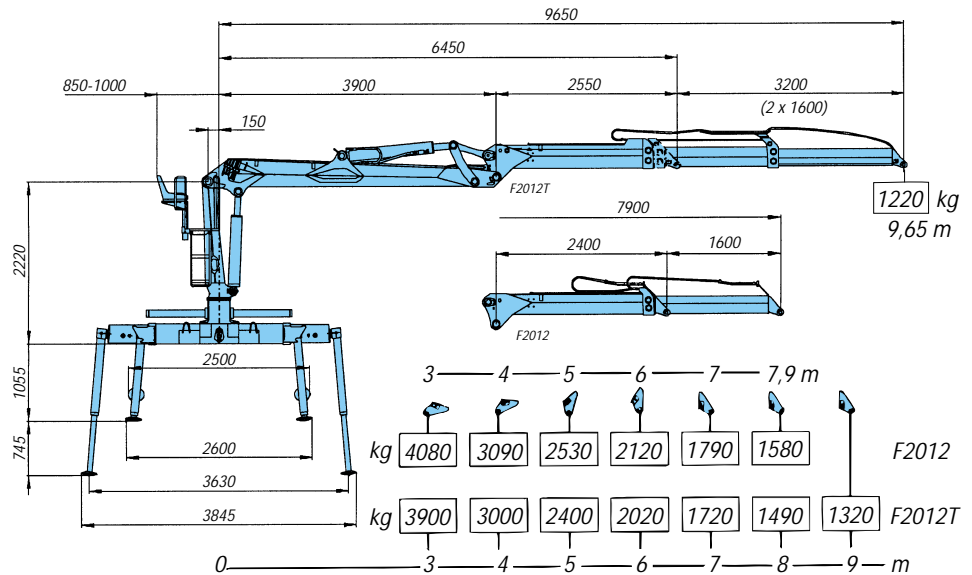


FORESTERI 2012/2012T

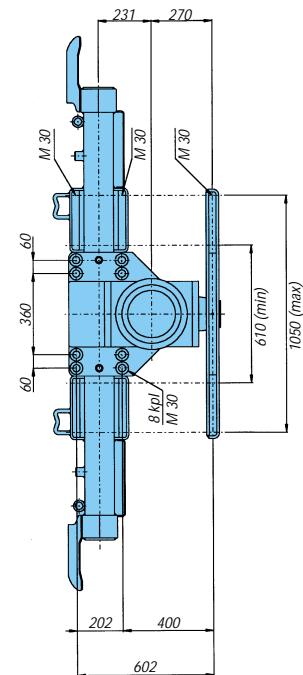
OUTREACH DIAGRAM



ALLOWED LOADS



BASE DRAWING



TECHNICAL SPECIFICATIONS			2012	2012T
FORESTERI 2012/2012T				
Lifting capacity	gross	kNm (tm) lbft	154 (15,7) 113600	154 (15,7) 113600
	net	kNm (tm) lbft	125 (12,7) 92200	119 (12,1) 87800
Outreach		m ft	7,9 25'11"	9,65 31'8"
Stroke of boom extension		m ft	1,6 5'3"	2 x 1,6 2 x 5'3"
Slewing torque		kNm lbft		25 18400
Slewing angle		°		415
Lifting capacity at 4 m radius 10 ft radius		kg lbs	3090 9000	3000 8600
	Weight without oil, grapple and rotator	kg lbs	2380 5250	2490 5490
Pump recommendation		MPa (bar)		24 (240)
- flow	single pump	PSI		3410
		l/min gpm		80-140 18-30
- power input	double pump	l/min gpm		2 x 70-120 2 x 15-26
		single pump	kW	30-56
	double pump	kW		50-96

All details are subject to change without notice. Listed values without obligation. Loaders illustrated with options.

MANUFACTURED BY:

KESLA OYJ

P.O. BOX 282
FIN-80101 JOENSUU, FINLAND
Tel. +358-13-682 841
Fax +358-13-682 8300
www.kesla.com

DISTRIBUTED BY:

SALES AND SERVICE: